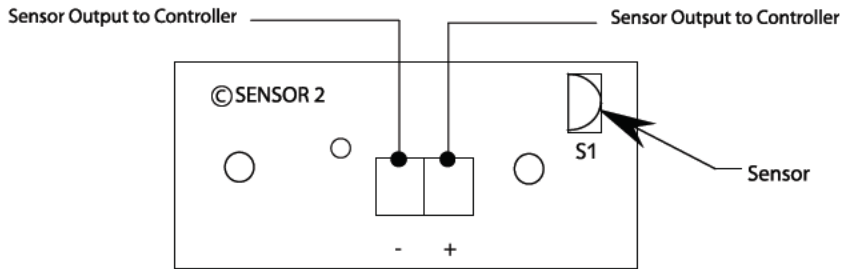


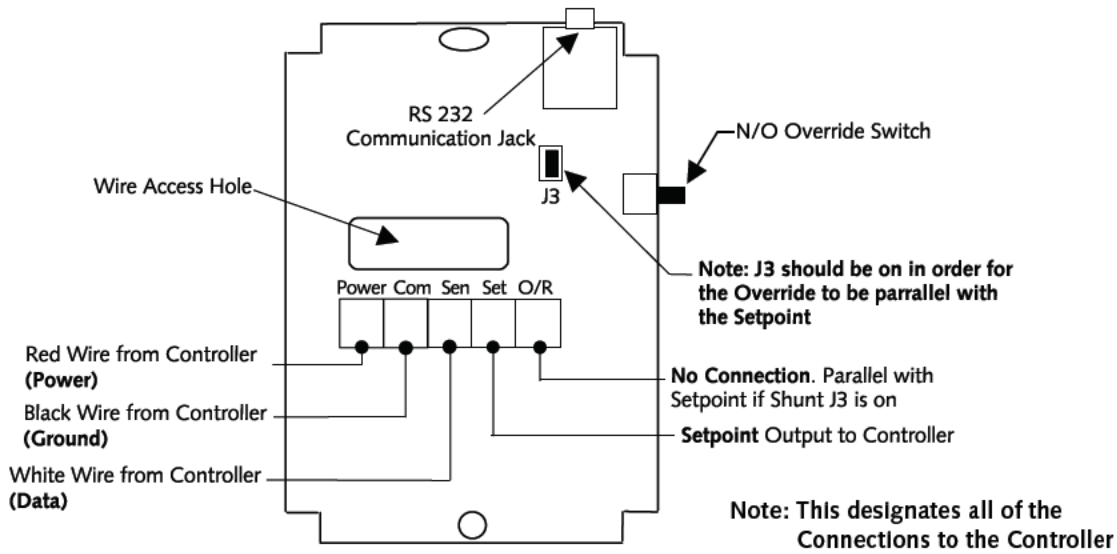
ETR-200

Temperature Sensors for I/Net

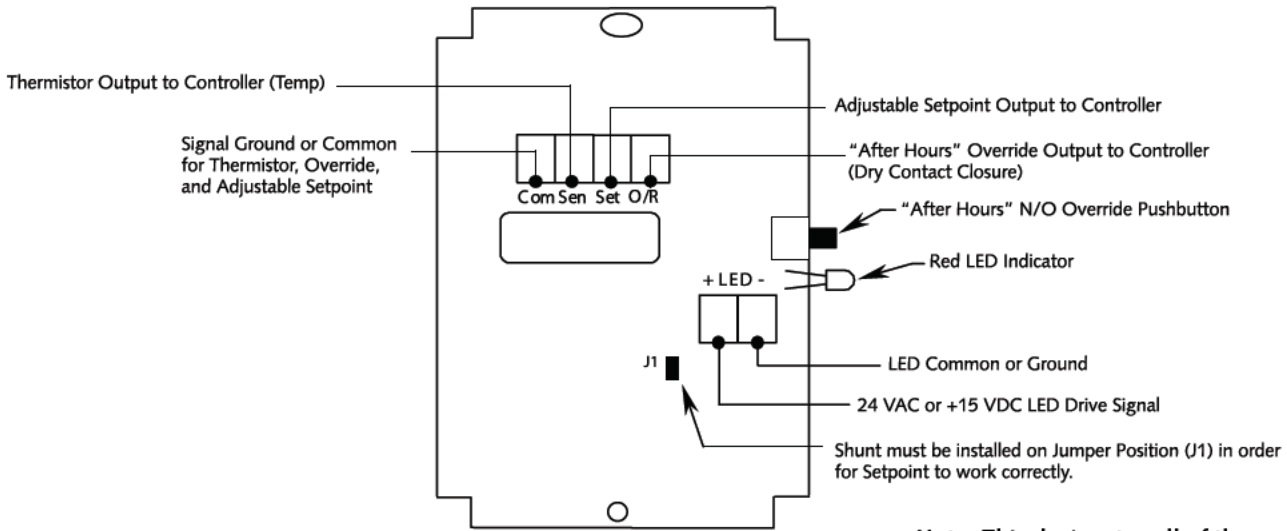
Wiring Diagram for all 2-wire Resistive Room Temperature Sensors



Room Temperature Sensor for I/Net with Communication Jack

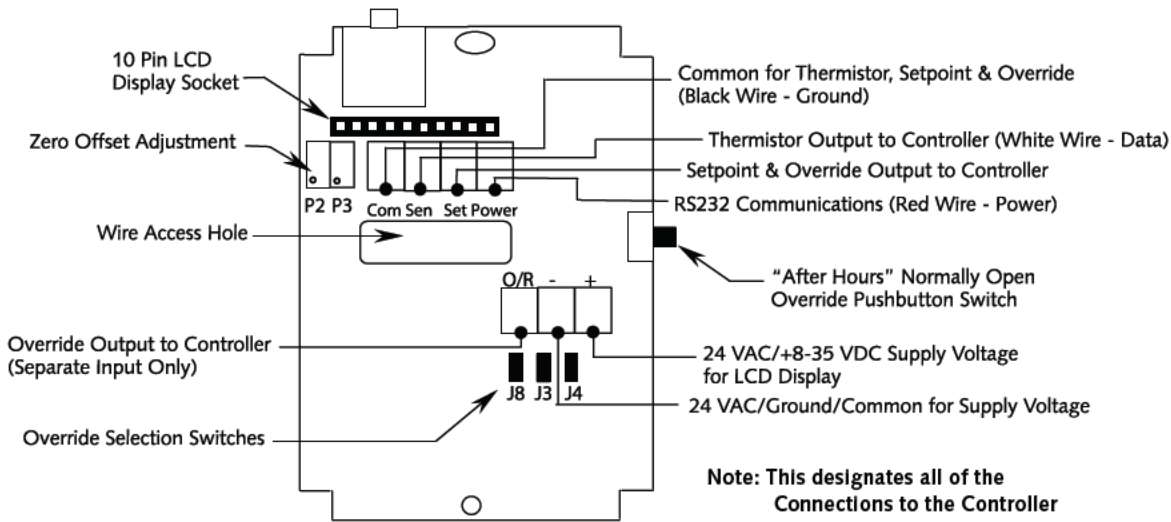


Room Temperature Sensor for I/Net with LED



Note: This designates all of the Connections to the Controller

Room Temperature Sensor for I/Net with LCD and Override



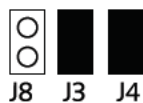
Note: This designates all of the Connections to the Controller

OVERRIDE SELECTION SWITCHES

Override Shorts Setpoint



Override Shorts Thermistor



Tenant Override (Separate Input)

